

NEW RENOVATION SETS 1955 MM AND 2080 MM FOR RESIDENTIAL DOORS WITH TENSION SPRINGS

Dear customer,

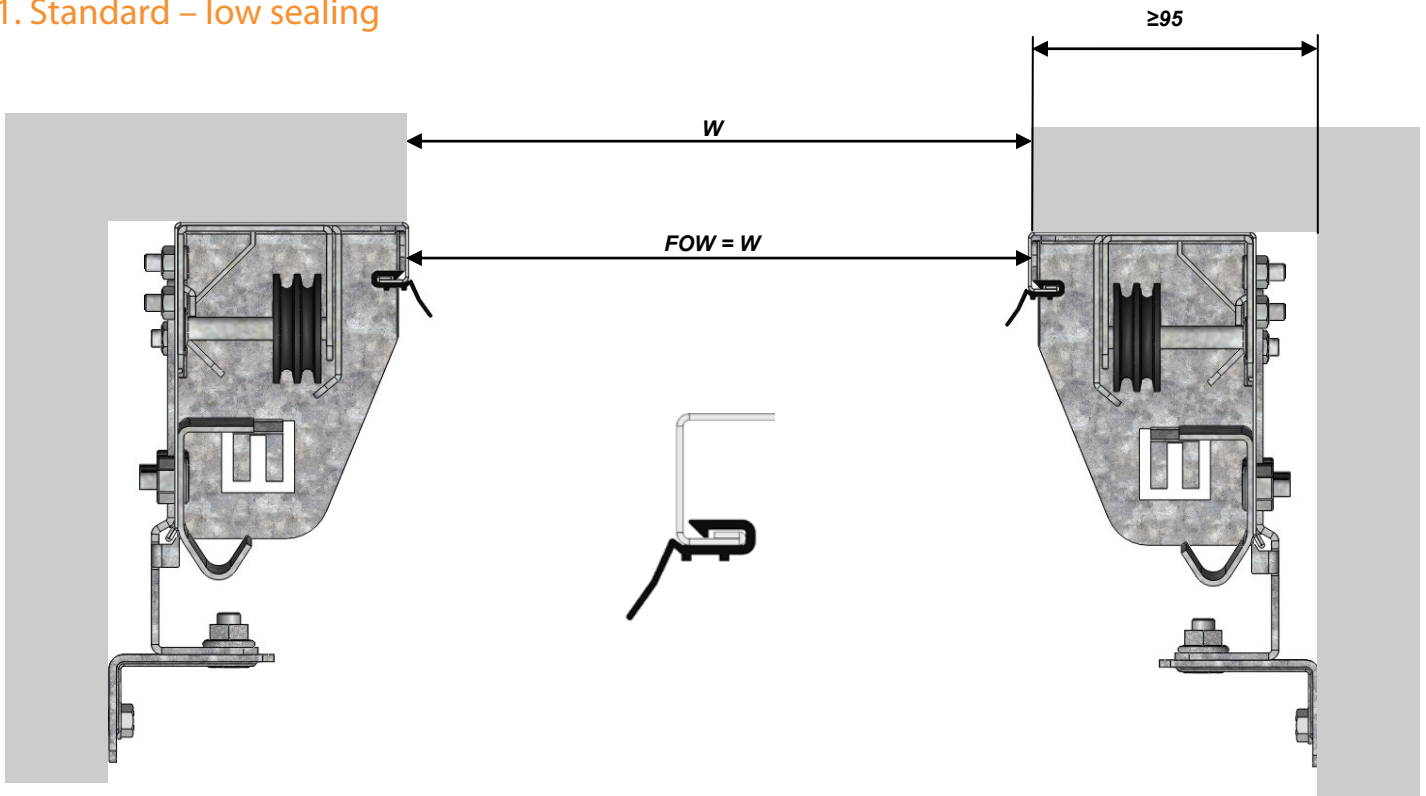
we extend current range of tension springs by two set heights **1955 mm** and **2080 mm**.

Two new sets differ from the rest of our portfolio by design of the vertical set of the track, whose **outer view side is from the production already painted to RAL 9010 and without the holes for the fixing to the side room**. These two sets are always supplied with the kit for the fixing to the side room. Please see the options of the installation of this type of vertical lift on pages 2-4.

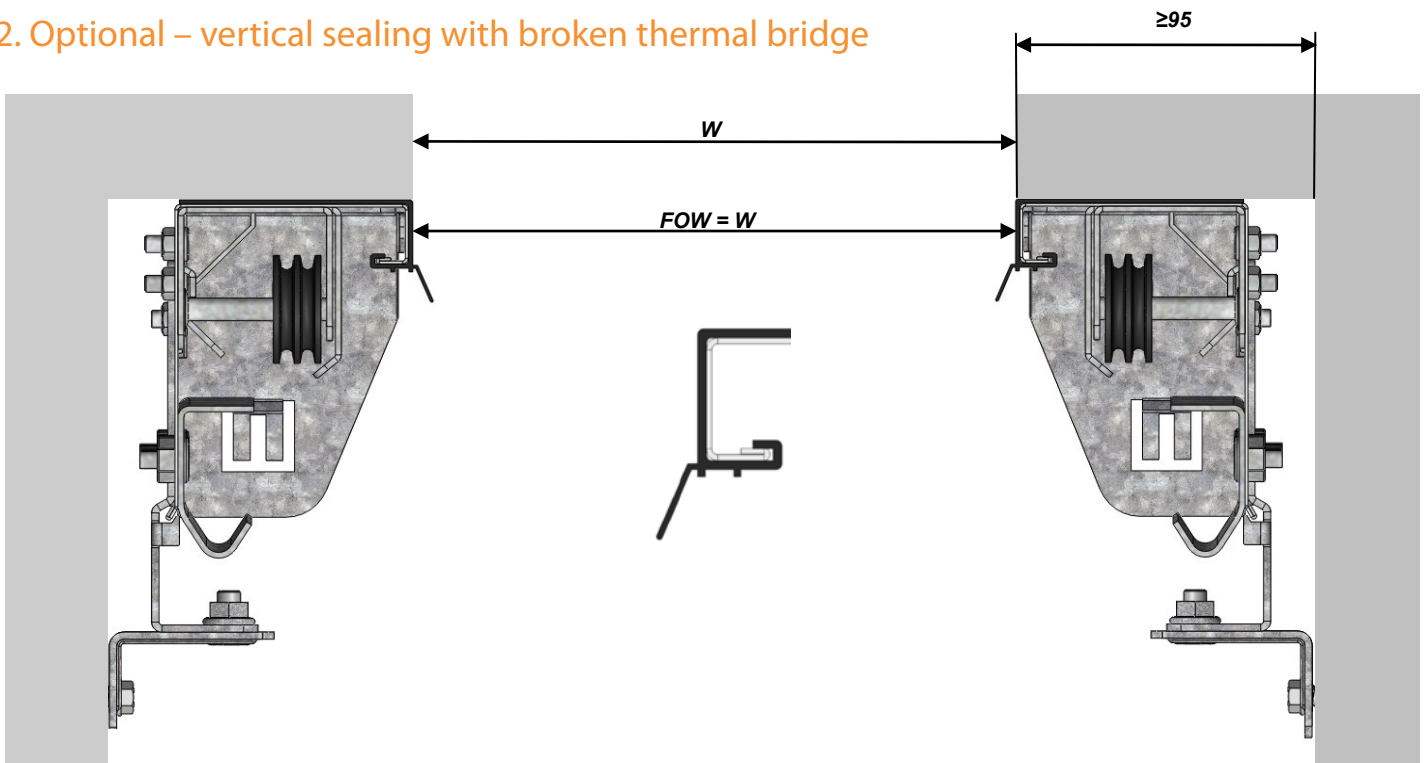


INSTALLATION OF VERTICAL TRACK AT SIDE ROOM ≥ 95 MM

1. Standard – low sealing

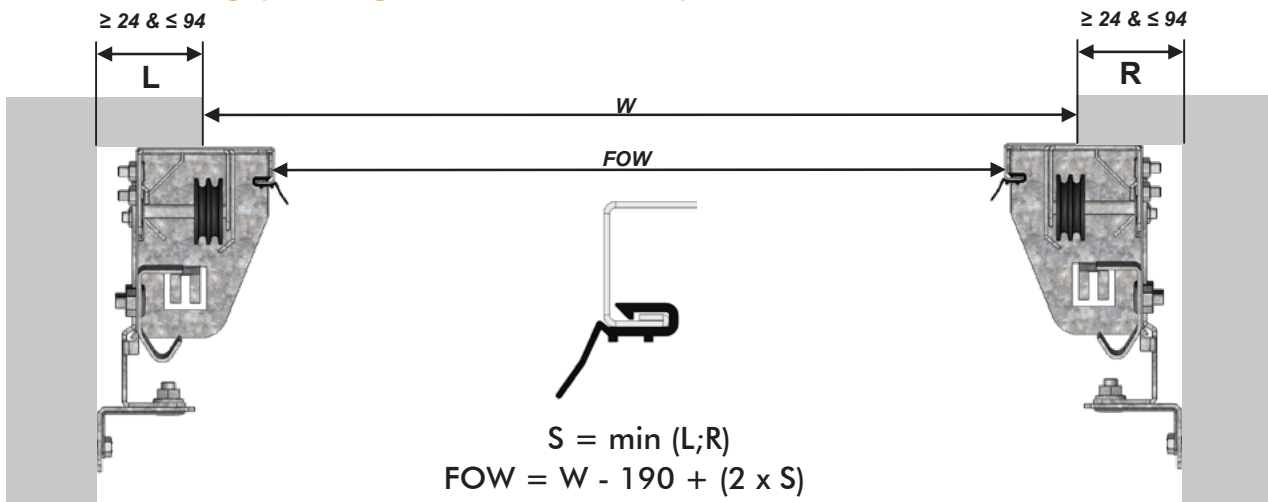


2. Optional – vertical sealing with broken thermal bridge

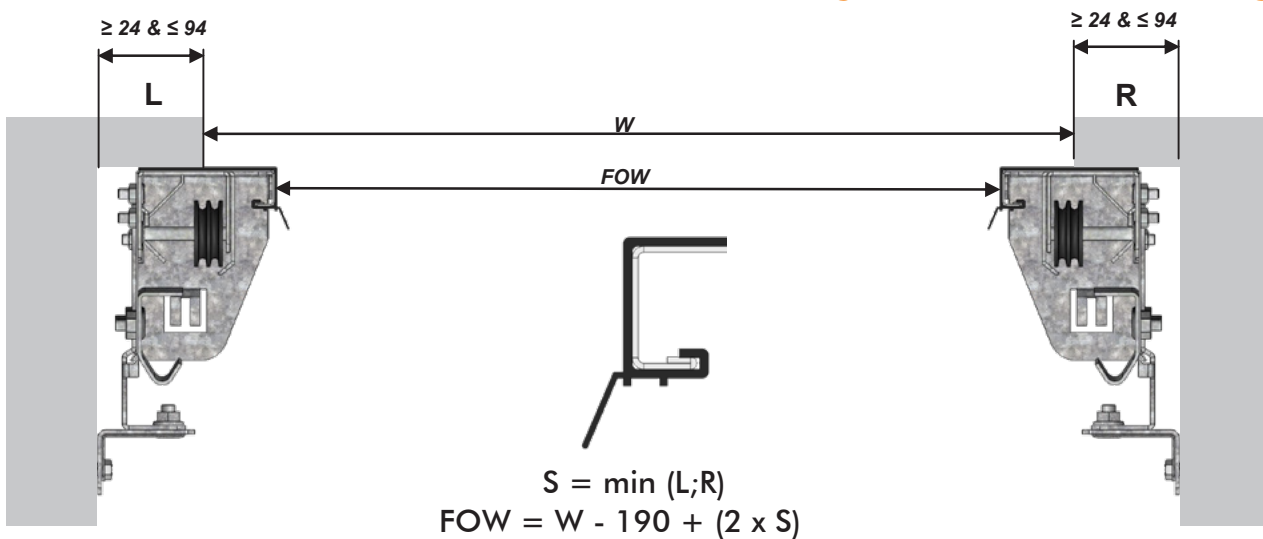


INSTALLATION OF VERTICAL TRACK AT SIDE ROOM FROM 1 MM TO 94 MM

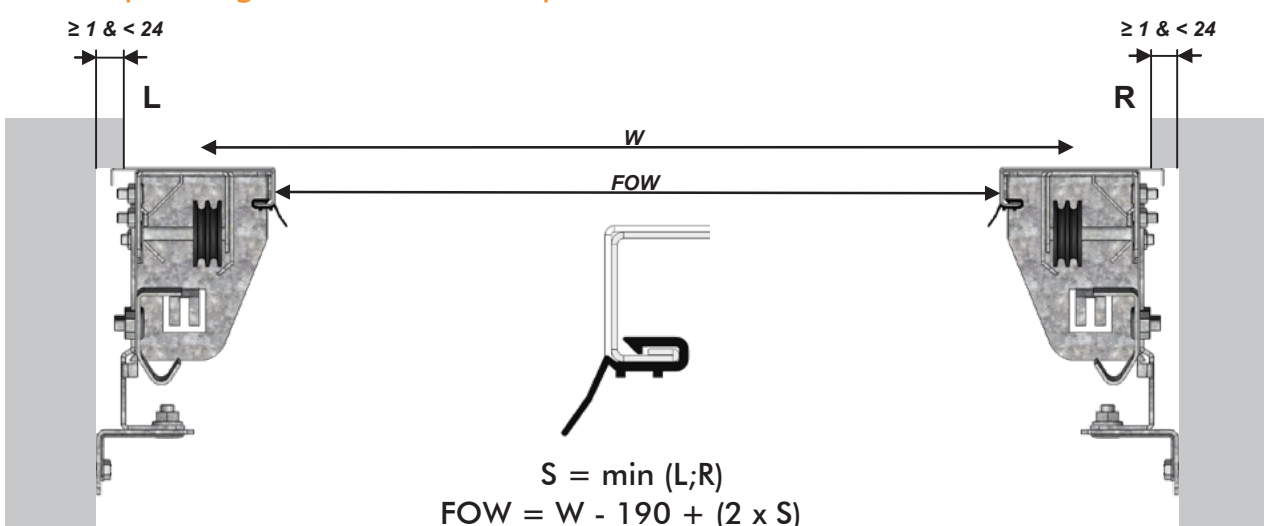
1. Standard – at side room ≥ 24 and ≤ 94 mm, white vertical track (RAL 9010) with low sealing; painting to RAL/NSC on request



2. Optional – at side room ≥ 24 and ≤ 94 mm, vertical sealing with broken thermal bridge

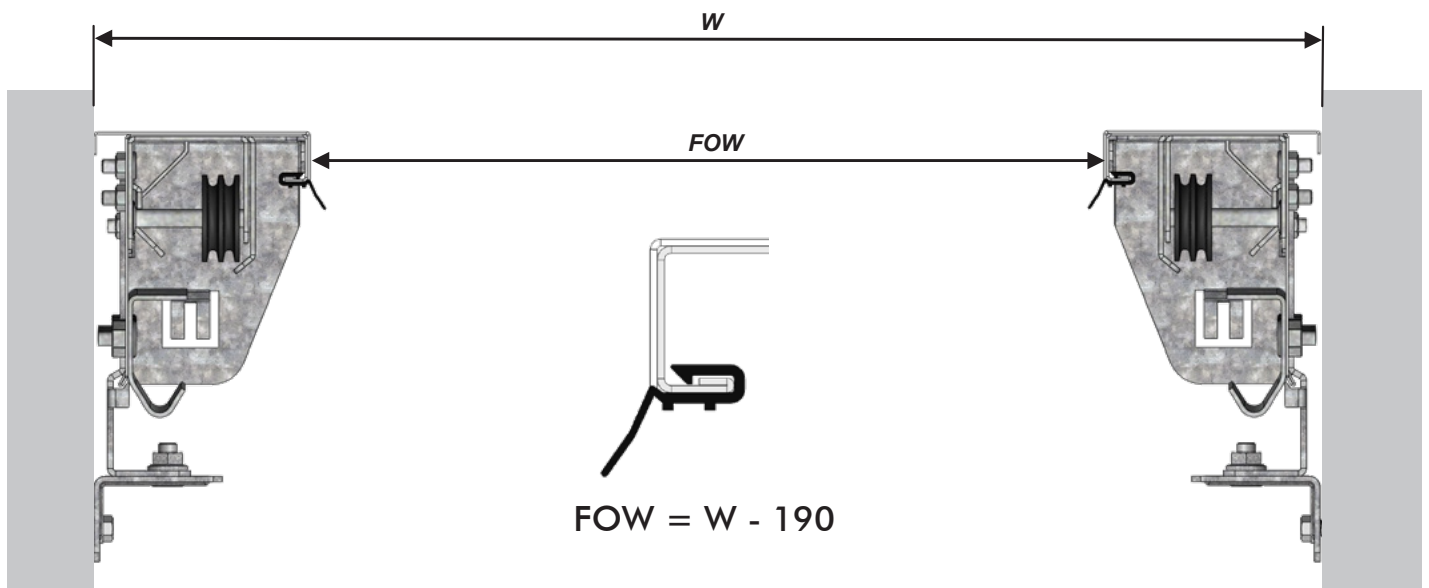


3. Optional – at side room ≥ 1 and < 24 mm, vertical cover profile "J" with low sealing; painting to RAL/NSC on request



INSTALLATION OF VERTICAL TRACK WITHOUT SIDE ROOM

1. Standard – vertical cover profile „J” with low sealing



2. Optional – vertical cover profile “L” with low sealing. Installation to match the facade of the house.

